

## For Residential and Commercial Applications

Job Name \_\_\_\_\_  
 Job Location \_\_\_\_\_  
 Engineer \_\_\_\_\_  
 Approval \_\_\_\_\_

Contractor \_\_\_\_\_  
 Approval \_\_\_\_\_  
 Contractor's P.O. No. \_\_\_\_\_  
 Representative \_\_\_\_\_

# Series BD

## Brass Boiler Drain Shutoffs for Water Service

Sizes: 1/2" x 3/4" – 3/4" x 3/4" (15 x 20mm – 20 x 20mm)

### Features

- 3/4" (20mm) hose thread connection on outlet
- Dual solder or IP connection models
- Angle and straight pattern models



**BD1C**

### Models

**BD1C** – Size 1/2" (15mm) dual connection, solder or male IPS x 3/4" (20mm) hose thread connection, angle pattern

**BD2** – Size 3/4" (20mm) male IPS x 3/4" (20mm) hose thread connection, angle pattern

**BD2C** – Size 3/4" (20mm) MIP x 3/4" (20mm) hose thread connection, angle pattern

**BD3F** – Size 1/2" (15mm) female IPS x 3/4" (20mm) hose thread connection, angle pattern

**BD4F** – Size 3/4" (20mm) female IPS x 3/4" (20mm) hose thread connection, angle pattern

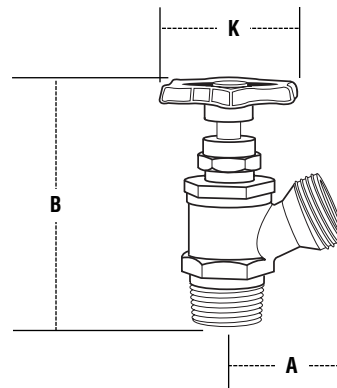
**BD5** – Size 1/2" (15mm) dual connection, solder or male IPS x 3/4" (20mm) hose thread connection, straight pattern, hose thread connection

**BD6** – Size 3/4" (20mm) Male IPS x 3/4" (20mm) hose thread connection, straight pattern

### Pressure — Temperature

**Maximum Pressure:** 200psi (14 bars) WOG, non-shock

**Maximum Temperature:** 180°F (82°C)



### Dimensions — Weights

MODEL	SIZE (DN)		DESCRIPTION	DIMENSIONS						WEIGHT	
	in.	mm		A		B		K		lbs.	kgs.
BD1C	1/2	15	Male IP or Solder inlet, angle	1 5/8	41	3 9/16	91	2 1/8	54	.5	.24
BD2	3/4	20	Male IP inlet, angle	1 1/2	38	3 9/16	91	2 1/8	54	.5	.24
BD2C	3/4	20	Male IP inlet, angle	1 1/2	38	3 9/16	91	2 1/8	54	.4	.20
BD3F	1/2	15	Female IP inlet, angle	1 1/2	38	3 1/4	82	2 1/8	54	.5	.24
BD4F	3/4	20	Female IP, angle	1 1/2	38	3 1/4	82	2 1/8	54	.5	.24
BD5	1/2	15	Male IP or Solder, straight	1 1/8	28	2 15/16	75	2 1/8	54	.4	.20
BD6	3/4	20	Male IP inlet, straight	1 1/8	28	3 1/8	80	2 1/8	54	.4	.20

**USA:** 815 Chestnut St., No. Andover, MA 01845-6098; [www.wattsreg.com](http://www.wattsreg.com)  
**Canada:** 5435 North Service Rd., Burlington, ONT. L7L 5H7; [www.wattscanada.ca](http://www.wattscanada.ca)



Watts product specifications in U.S. customary units and metric are approximate and are provided for reference only. For precise measurements, please contact Watts Technical Service. Watts reserves the right to change or modify product design, construction, specifications, or materials without prior notice and without incurring any obligation to make such changes and modifications on Watts products previously or subsequently sold.