

Optional Ground Rack for Solar Pool Panels

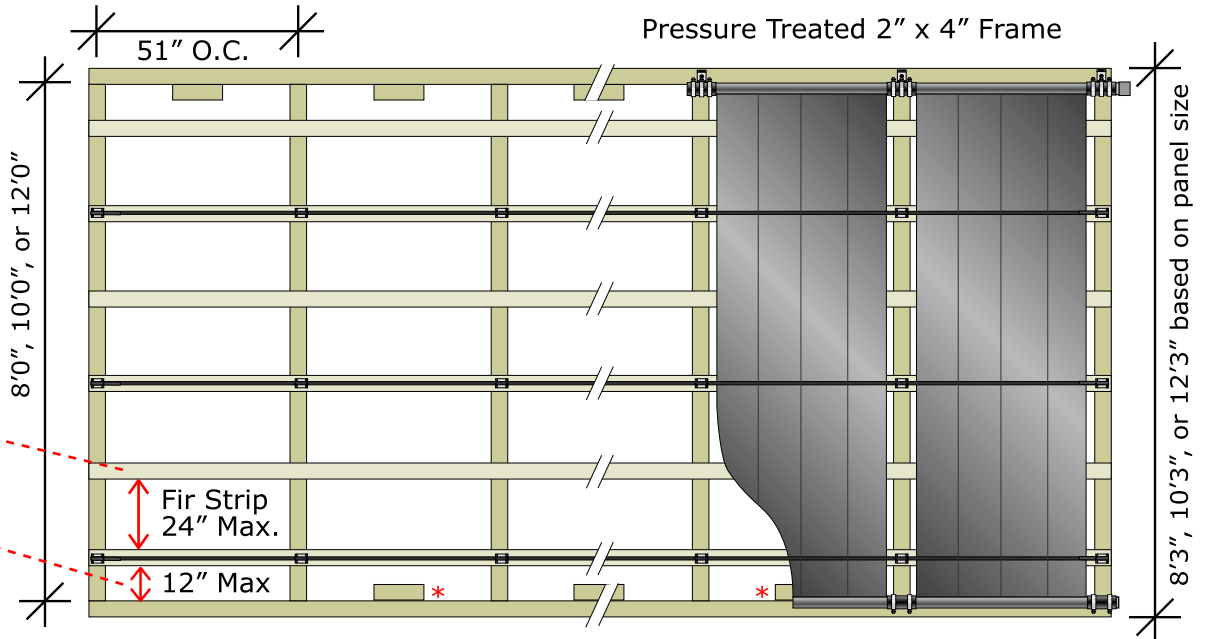
Top View

Length based on panel size

8'0" (4x8 panels)
10'0" (4x10 panels)
12'0" (4x12 panels)

Pressure treated 1"x2" or 1"x4" Fir Strip at approx. 24" spacing to support panel

12" Max for bottom Fir Strip and Strap



Side View Cutaway

Fir Strip

Top Header

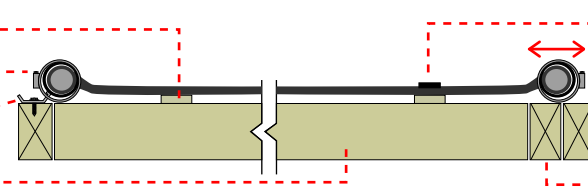
Clip and Screw

2 x 4 Frame

Clip and Strap

Bottom Header expands and contracts up and down on rack as temperature changes.

*An optional support block may be required to support header to prevent sagging



Cross braces as required

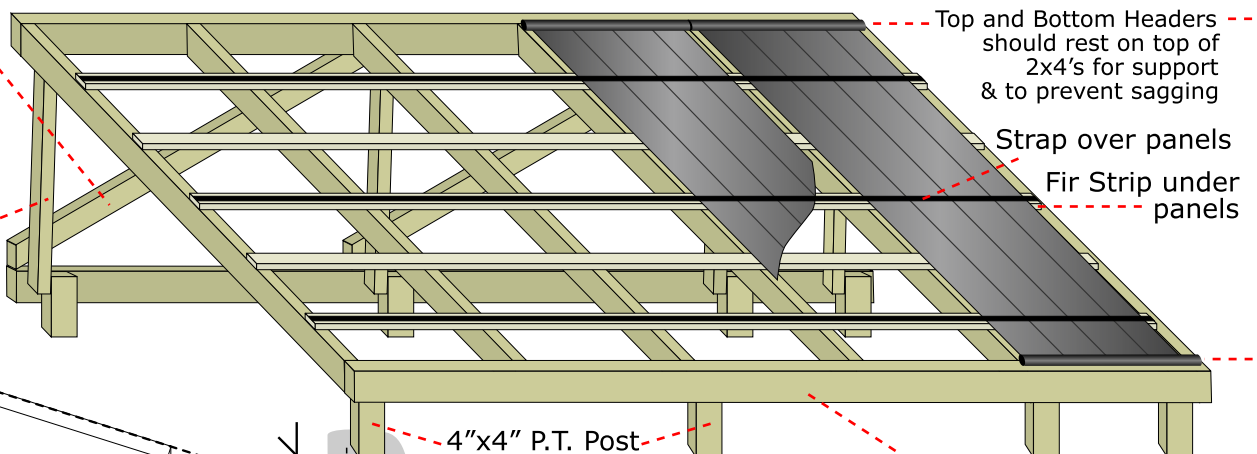
Length based on rack angle. Rack angle should be between +/- 15° of latitude

LAT +/- 15°

Top and Bottom Headers should rest on top of 2x4's for support & to prevent sagging

Strap over panels

Fir Strip under panels



4"x4" P.T. Post

Cement

Frame as detailed above

12" min.

102" O.C. (Max.)